

6-Port Industrial Ethernet Switch NX-UM9450-4GP-S2



OVERVIEW

This device is a gigabit Industrial Ethernet Switches, PoE is optional. Through fan less cooling circuit design, wide range of working environment temperature, high protection level and other technologies, it provides excellent industrial grade products such as high / low temperature resistance and lightning protection, and enhances the reliability and security of industrial network. It can meet the deployment requirements of rail transit, safe city, intelligent transportation, outdoor monitoring and other harsh environments.

FEATURES HIGHLIGHTS

- Fixed port: 2*1000 Base-X, 4*10/100/1000 Base-T
- PoE Support: Yes
- Input Voltage: DC12-58V; PoE DC 48-58V
- ESD: IEC 61000-4-2 Level 4 (8K/15K)
- Thermal methods: Fanless, natural cooling
- MTBF: 100,000 hours
- Certificates: CCC/CE/FCC/RoHS

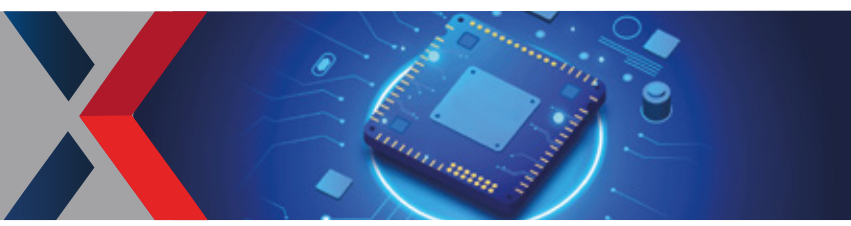


TECHNICAL SPECIFICATIONS

SPECIFICATIONS	NX-UM9450-4GP-S2
Business interface (Fixed port)	2*1000 Base-X, 4*10/100/1000 Base-T
Management Port	None
Power interface	Phoenix terminal, dual power redundancy
LED Indicators	PWR, mainboard light port, NMC, expansion board light port
Twisted-pair	0-100m (CAT5e, CAT6)
Monomode optical fiber	20/40/60/80/100KM
Multimode optical fiber	550m



6-Port Industrial Ethernet Switch NX-UM9450-4GP-S2



TECHNICAL SPECIFICATIONS

SPECIFICATIONS	NX-UM9450-4GP-S2
1 LFP	Remote PD Reset
2 LGY	Standard / non standard PoE selection
3 VLAN	Port Isolation
4 BSR	Reset
Ring topology	Unsupported
Star topology	Support
Bus topology	Support
Tree Topology	Support
Hybrid topology	Support
Input voltage	DC12-58V; PoE DC 48-58V
Total Power consumption	Non-PoE<5W ; PoE<125W
PoE port	4
PoE Protocol	802.3af, 802.3at
Pin Assignment	1,2,3,6
PoE Management	-
Switching capacity	14G
Packet forwarding rate	10.416 Mpps
MAC address table	8K
Buffer	1M
Forwarding delay	<5 μs
MDX/MIDX	Support
Flow control	Unsupported
Jumbo frame	Support10Kbytes
Storm Control	Support
Port-Isolation	Support
Remote PD Rese	-



6-Port Industrial Ethernet Switch NX-UM9450-4GP-S2



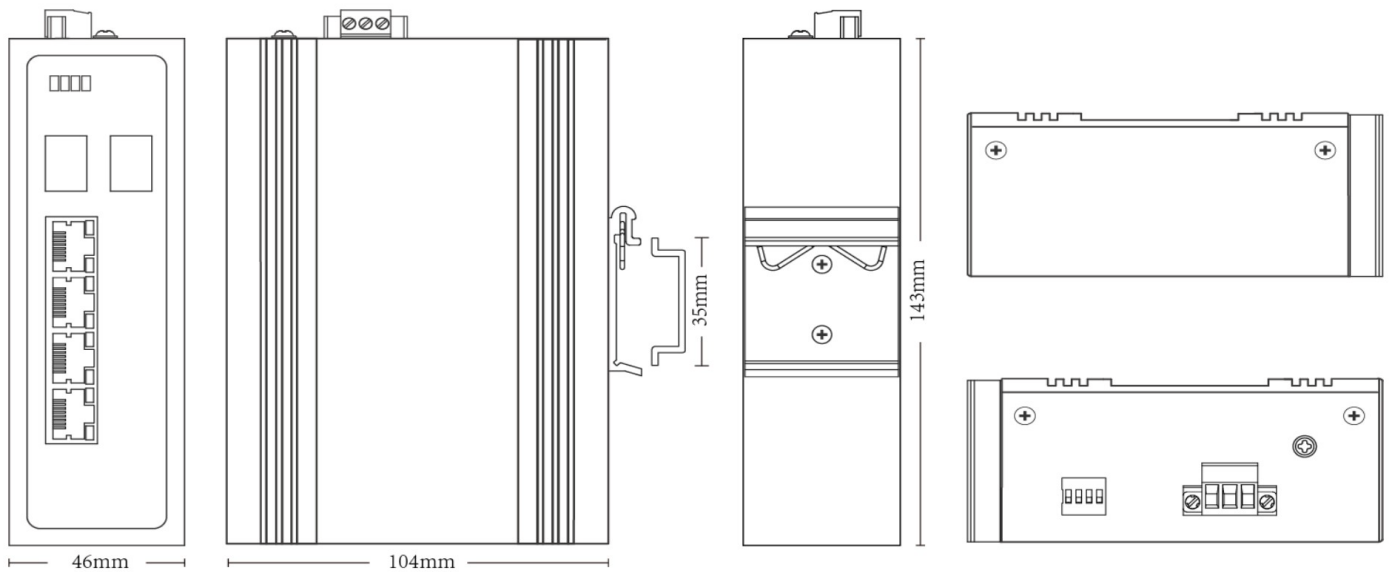
TECHNICAL SPECIFICATIONS

SPECIFICATIONS	NX-UM9450-4GP-S2
Operating temperature	-30°C ~75°C
Storage temperature	-30°C~75°C
Relative humidity	5%~95% non-condensing
Thermal methods	Fanless, natural cooling
MTBF	100,000 hours
Product size	46*104*143mm
Installation Method	Din-rail
Weight	About 0.55 Kg
IP Level	IP40
Surge protection of Power	IEC 61000-4-5 Level 3 (4KV/2KV) (8/20 μs)
Surge protection of Ethernet port	IEC 61000-4-5 Level 3 (4KV/2KV) (10/700 μs)
RS	-
EFI	-
CS	-
PFMF	-
DIP	-
EMI	-
ESD	IEC 61000-4-2 Level 4 (8K/15K)
Free fall	0.5m
Certificates	CCC/CE/FCC/RoHS



6-Port Industrial Ethernet Switch NX-UM9450-4GP-S2

TECHNICAL DIAGRAM



USA

Tel +1 877 677 4040
info@nodexon.com
152 East 118th Street,
New York, NY 10035

EUROPE

Tel +44 746 6717286
uk@nodexon.com
Fairbourne Drive, Atterbury,
Buckinghamshire, UK

MIDDLE EAST

Tel +971 44 558570
mena@nodexon.com
Boulevard Plaza Tower One, Level 3,
Downtown Dubai, UAE